



SPECIFICATIONS OVERVIEW



NIR-6000 INDUSTRIAL-GRADE MOISTURE ANALYZER

SPECIFICATIONS

NIR-6000 INDUSTRIAL-GRADE MOISTURE ANALYZER

NUMBER OF MEASURED CONSTITUENTS:		1, 2 or 3
RANGES AND ABSOLUTE ACCURACY ¹ :	Moisture	0 to 95% ±0.10%
	Fat	0 to 75% ±0.20%
	Protein	0 to 70% ±0.15%
	Total Sugar	0 to 30% ±1.00%
	Nicotine	0 to 6% ±0.10%
INSTRUMENT REPEATABILITY ² :		±0.10
RECOMMENDED MEASUREMENT DISTANCE:		4 -12 in (100-300 mm)
STANDARD INSTRUMENT WEIGHT ³ :		18 lbs (8.16 kg)
OPTICAL SAMPLING SIZE:		1.77 in (45 mm)
STANDARD OPERATING TEMPERATURES ⁴ :		32 to 131°F (0 to 55°C)
	Air Cooling Panel	32 to 185°F (0 to 85°C)
	Water Cooling Panel	32 to 185°F (0 to 85°C)
	Heating Option	-4 to 131°F (-20 to 55°C)
ENCLOSURE:		Cast Aluminum – Powder Coated
POWER:		80/260 VAC (50/60 Hz)
	Optional	24 VDC
STANDARD INSTRUMENT I/O:		3 self-powered isolated 4-20mA outputs Ethernet TCP/IP Digital RS-485 or RS-422 1 Digital Input 1 Digital Output
PROPRIETARY INTERFACE OPTIONS: ⁵		PROFIBUS
		PROFINET
		DeviceNet
		EtherNet
WARRANTY:		2-year Parts and Labor
		Lamp and Motor (5 years)

¹ All accuracies subject to application

² Instrument repeatability is subject to application

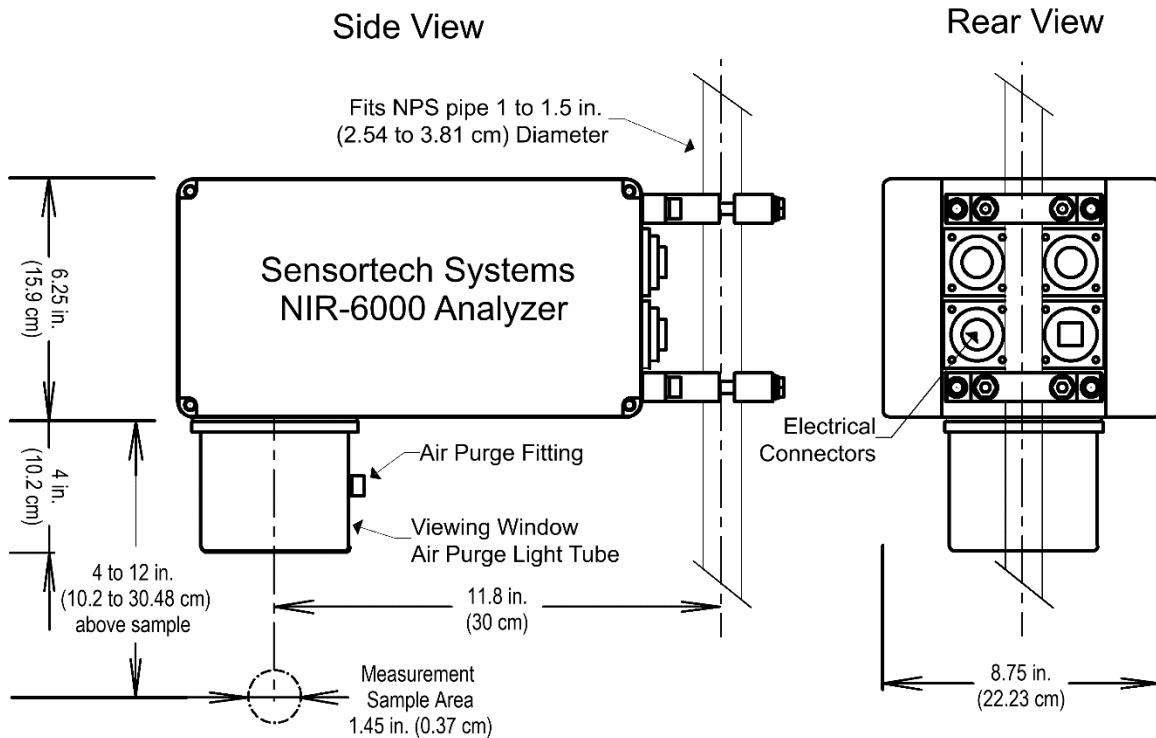
³ Non-standard enclosures are subject to application

⁴ Several options are available spanning and exceeding the minimum and maximum stated temperature specifications; contact Sensortech for details

⁵ External devices communicate via Modbus/RTU Protocol

DIMENSIONS

NIR-6000 INDUSTRIAL-GRADE MOISTURE ANALYZER



ABOUT SENSORTECH SYSTEMS

Sensortech Systems, Inc. has been the trusted name in moisture measurement and control for more than 30 years. Incorporated in 1983 Sensortech has become the global leader in applied moisture measurement technologies.

Our instruments can be found in numerous industries throughout the world providing productivity enhancing benefits yielding effective process control and quality assurance. Sensortech's success is due to our leading-edge manufacturing processes, comprehensive testing and quality control standards, high performance instruments, diverse range of applications, and superior customer support.

We are a full design, development, and manufacturing facility specializing in Near Infrared Reflectance (NIR) and Radio Frequency (RF) technology. Through our expertise in both disciplines of moisture measurement technologies we apply the correct instrumentation to your process. With Sensortech you know you are getting what you need where you need it.



341 Bernoulli Circle, Oxnard, CA 93030, USA
Phone: (805) 981-3735 Fax: (805) 981-3738
info@sensortech.com | sensortech.com

Copyright © 2018 Sensortech Systems, Inc.
Sensortech Systems and Sensortech.com
are registered trademarks of Sensortech Systems Inc.
18-06-16